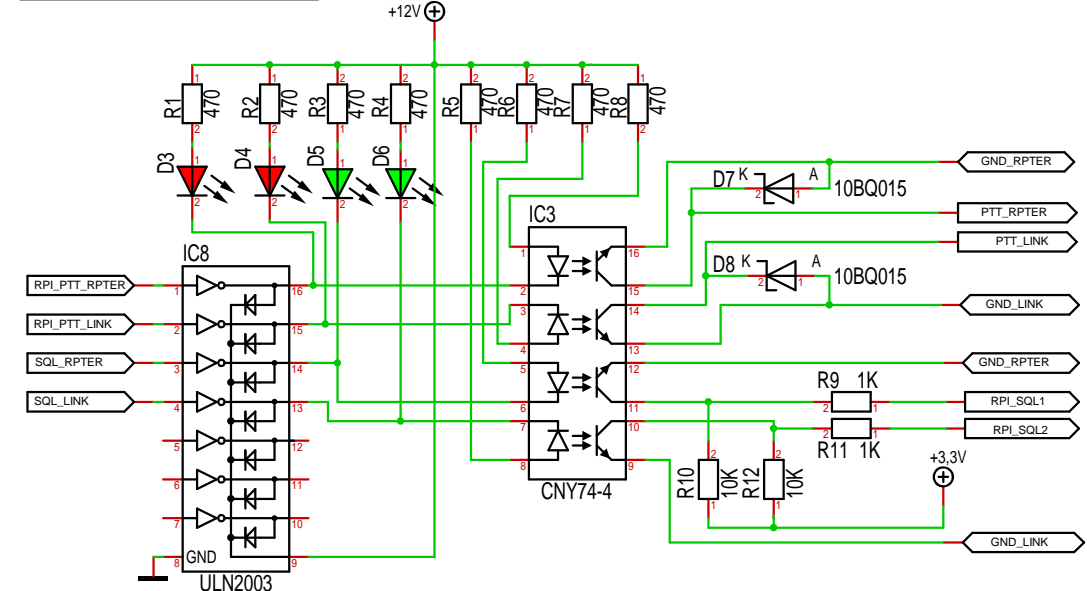
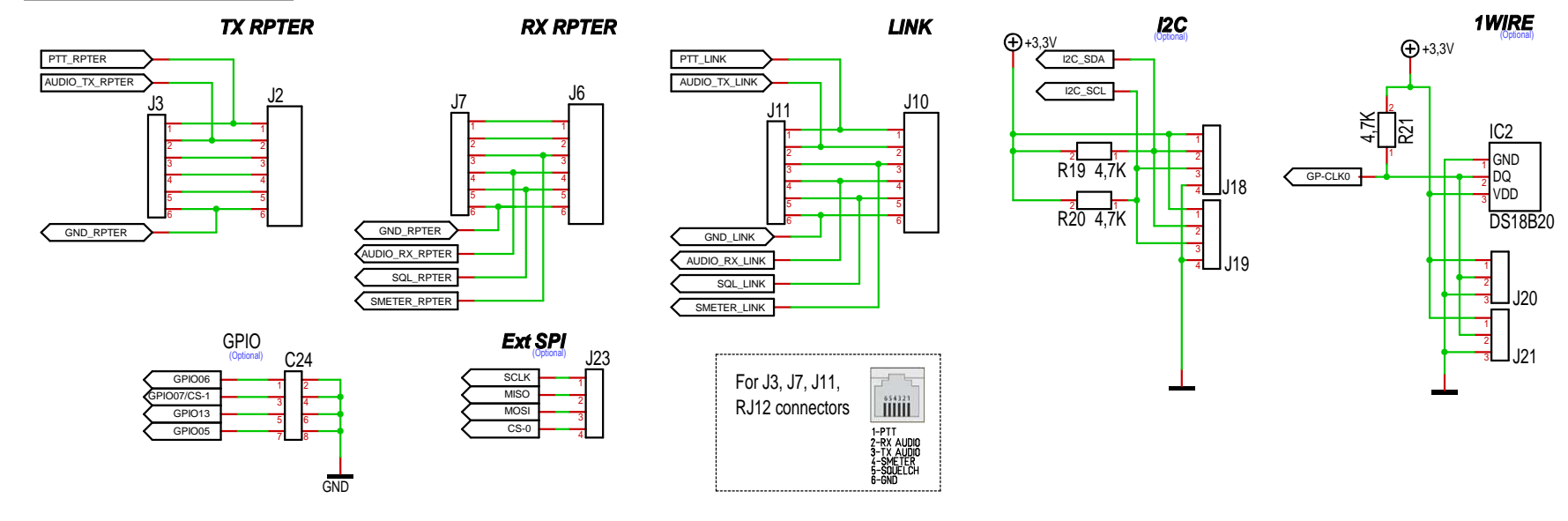


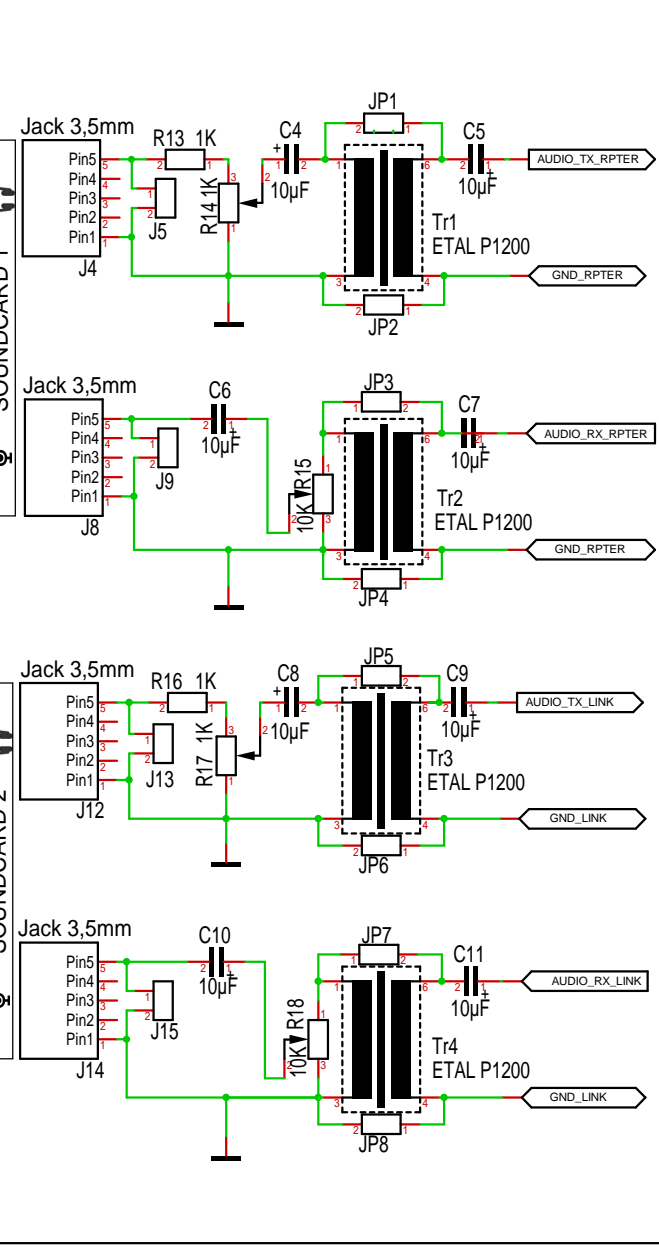
PTT/SQUELCH



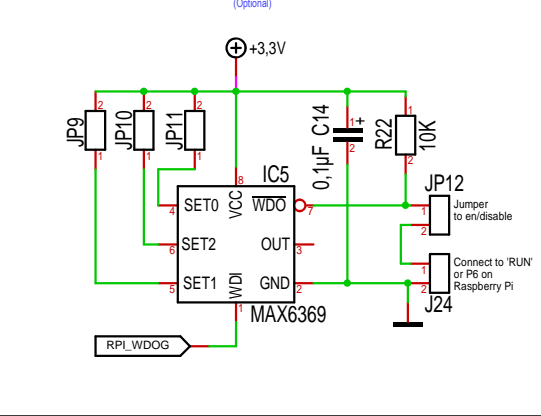
CONNECTORS



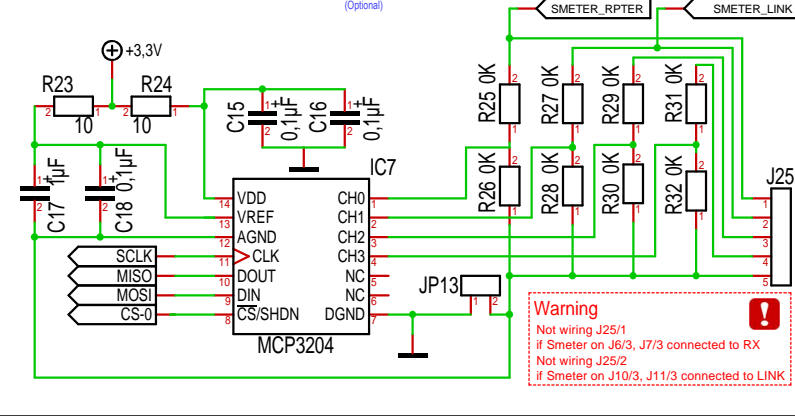
AUDIO IN / OUT



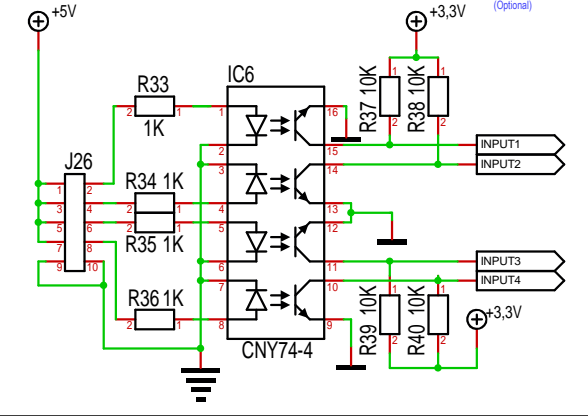
WATCHDOG



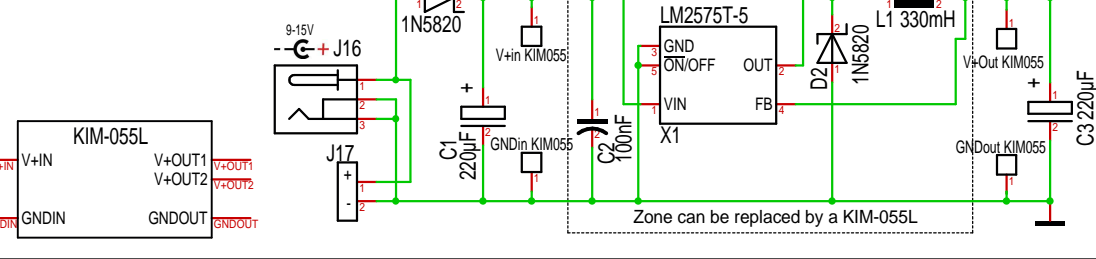
CONVERTER A/D



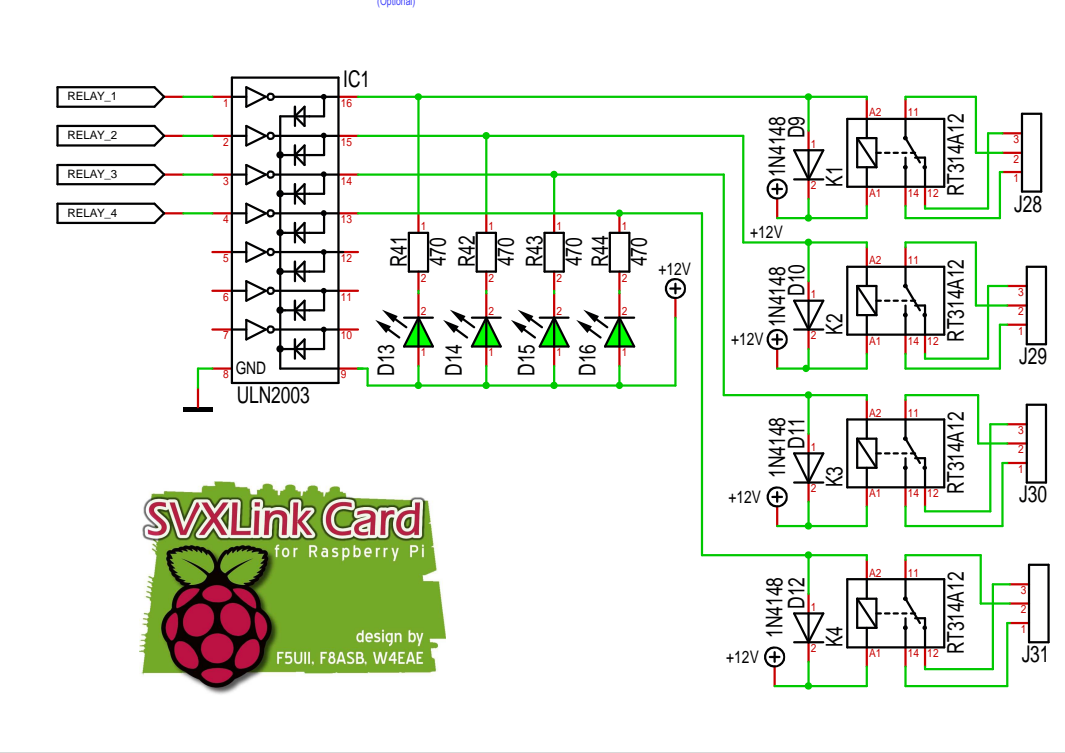
OPTOCOUPLED INPUTS



5V SUPPLY



RELAYS OUTPUTS



RS-232 PORT

